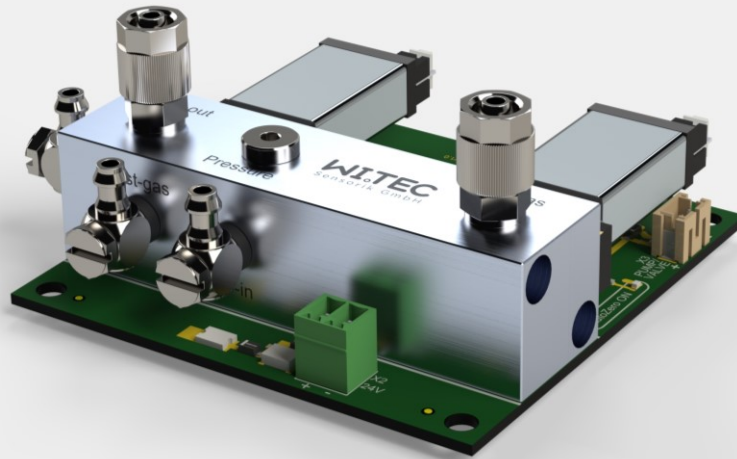


Overview



Auto-Zero Function VV

Application

- > Wi.Tec extension module for **ULTRA.sens®**, **INFRA.sens®** & **KOMBI.sens®** series
- > automatic zero-point adjustment for long-term stable measurements
- > especially for emission monitoring (CEM¹)

Features & Benefits

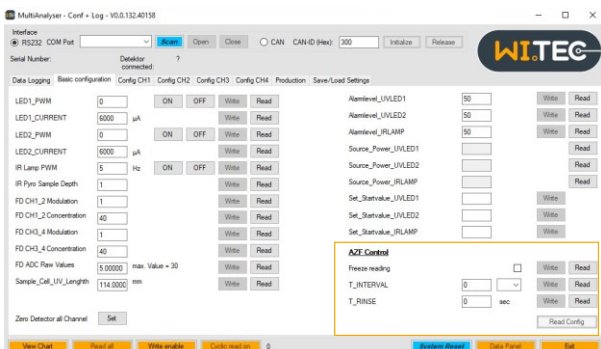
- > automatic zero-point adjustment for long-term stable measurements
- > P.sens included (pressure compensation)
- > controlled over MARS Tool
- > zero interval from 1h to 1 per month
- > zero setting with nitrogen (bag/bottle)

Description

The **Auto-Zero Function** can be integrated in the tubing of the **Wi.Tec** module. The **AZF** makes a zero-point adjustment in an interval from 1h to 1 per month, which is set in the MARS Tool. With the integrated **P.sens**, the pressure compensation can be done with the **AZF** and an additional installation of the pressure sensor is not necessary. As of the HW Rev. 1.8.2.0. from the Wi.Tec BasisBoard and the SW Rev. 528 the AZF can be installed.

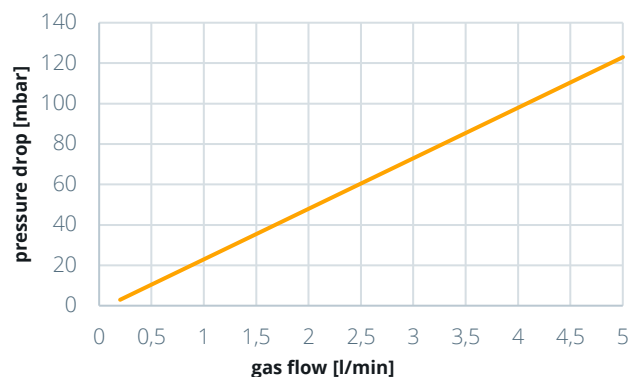
MARS-Tool

- > adjustable Zero point interval



Differential Pressure [mbar]

- > from gas in to gas out



For more and most recent information please have a look on our website at www.witec-sensorik.de/en/

¹ continuous emission monitoring

Auto-Zero Function VV

Technical Data

General features	
Dimensions ¹ [H x W x L]	36mm x 86.5mm x 75mm
Weight	150g
Tube connector	4/6mm tube
Zero response time ²	approx. 15s
Pressure drop	25mbar at 1l/min
Pump specification*	
Gas flow (zero gas)	0.35l/min
Output pressure	300mbar
Medium contact materials	EPDM / PPS
Valve block	
Medium contact materials	Al Mg 4.5 Mn (anodized)
Leakage rate	< 1·10 ⁻⁴ mbar l/s
Electrical inputs and outputs	
Supply voltage	min. 15 VDC max. 30VDC
Supply current (passive) ⁴	5mA
Supply current (active) ⁴	90mA
Digital input signal	2...3V
Climatic conditions	
Operating temperature	5°C – 55°C
Storage temperature	-20°C – 60°C
Air pressure	800mbar – 1200mbar
Ambient humidity	0 – 95% rel. humidity (not condensing)

* safety filter is recommended on zero gas inlet ¹ height depends on the tubing approx. 60mm ² depends on gas flow and concentration
³ measuring at +20°C, 1bar pressure at valve inlet and free outlet ⁴ at 24 VDC



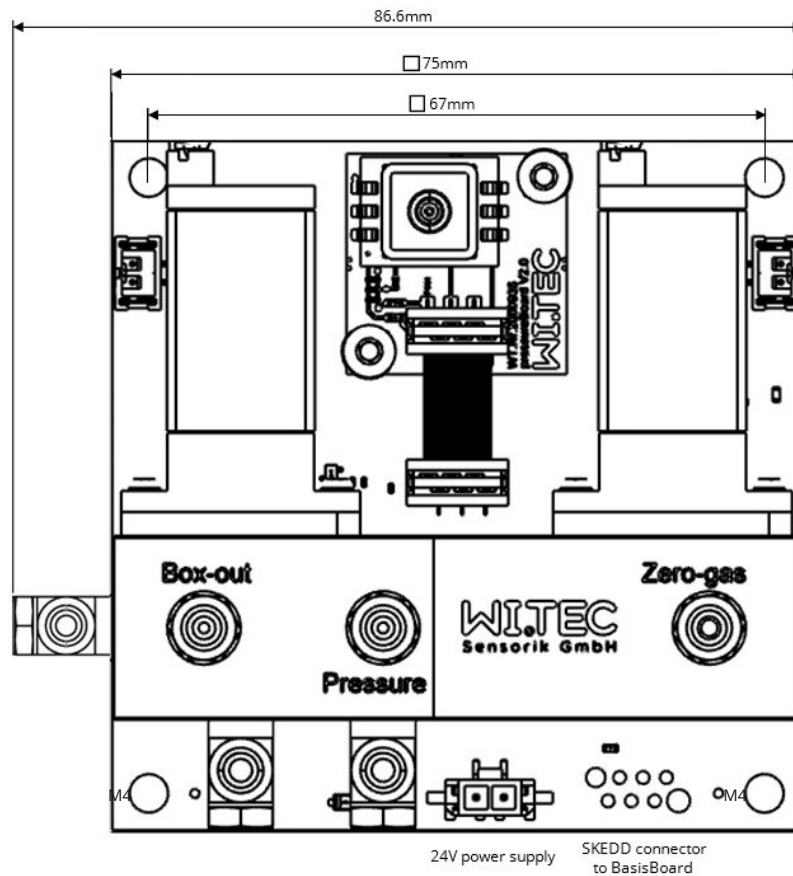
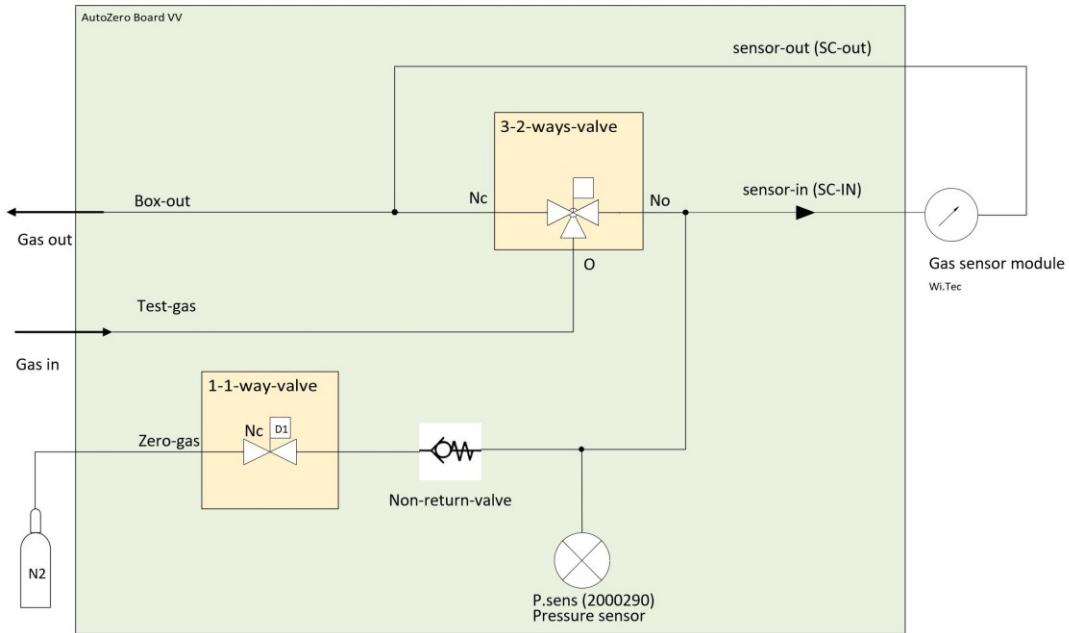
THE GAS MEASUREMENT COMPANY

!CAUSE IT MAKES .SENS

Subject to change without notice. // Article no. 2001163 // 2021-07 Rev.02

Auto-Zero Function VP

Circuit diagrams



THE GAS MEASUREMENT COMPANY

!CAUSE IT MAKES .SENS

Subject to change without notice. // Article no. 2001163 // 2021-07 Rev.02