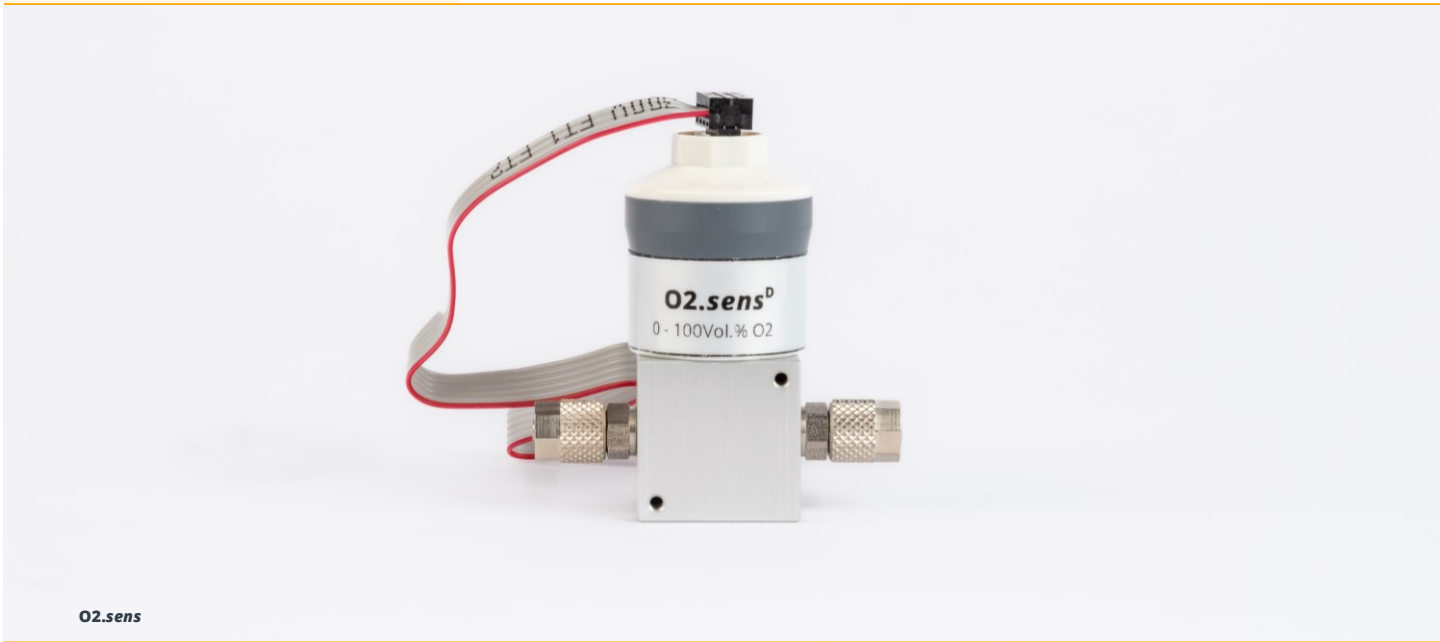


Overview



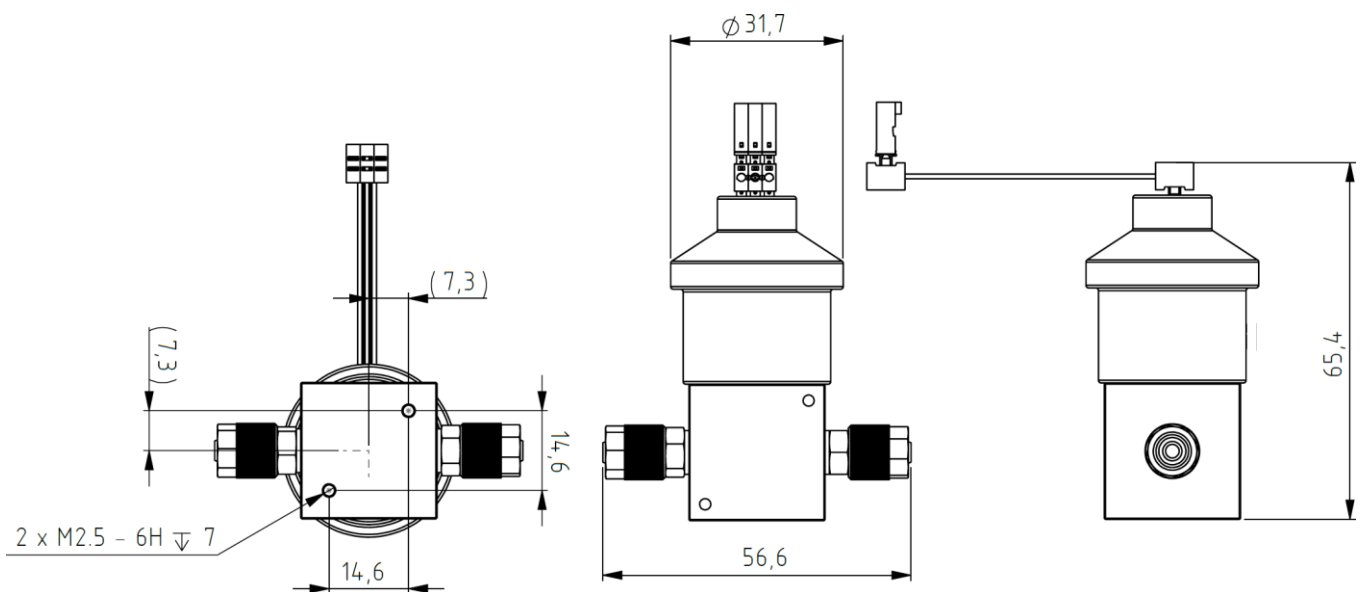
Applications

- > Compatible with **ULTRA.sens[®]** **INFRA.sens[®]** & **KOMBI.sens[®]** series
- > please check technical data table

Features & Benefits

- > Measurement range 0.01 to 100Vol.%
- > high accuracy
- > small size
- > easy to replace (2-point calibration)

Dimensions



Subject to change without notice. // 2023-05 Rev.01

Technical Data

General features

Dimensions [H x W x L]	65.4mm × 31.7mm × 56.6mm
Weight	70g
Tube connector	4/6mm tube
Measurement range	0.01 – 100Vol.% O ₂
Application	Industrial, fully CO ₂ resistant
Medium contact materials	ABS, PVC, PPS, PTFE, stainless steel
Expected operating life	~ 1,200,000Vol.% O ₂ h
Sensor lifetime	6 years @ ambient air, depending on application

Measuring response¹

Resolution	15bit
Detection Limit	≤0.005Vol.%
Response time(t ₉₀)	< 10s
Drift ²	< 1 % per month
Linearity Error	0 to 2Vol.% O ₂ : ± 0.1 absolut ; 2.1 to 100Vol.%O ₂ : ± 0.5 relative
Repeatability ³	± 1Vol.% O ₂
Zero Offset Equivalents ³	<0.3Vol.% O ₂
Influence of Humidity	-0.03% rel.O ₂ reading/% RH

Interferences	100 Vol.% CO	< 20 ppm O ₂ response
	100 Vol.% CO ₂	< 20 ppm O ₂ response
	100 Vol.% C ₃ H ₈	< 20 ppm O ₂ response
	100 Vol.% H ₂	< 400 ppm O ₂ response
	3000 ppm NO bal. N ₂	< 20 ppm O ₂ response
	3000 ppm Ethanol	< 100ppm O ₂ response
	3000 ppm 1-Butanthiole	< 100ppm O ₂ response
	3000 ppm Dimethyl disulfide	< 200ppm O ₂ response
	2000 ppm H ₂ S bal. N ₂	< 500 ppm O ₂ response
	1000 ppm Benzene bal. N ₂	< 20 ppm O ₂ response
500 ppm SO ₂ bal. N ₂	< 20 ppm O ₂ response	

Climatic conditions

Operating temperature	0 – 45°C
Storage temperature	5 – 30 °C recommended -20 – 50 °C maximum (≤ 10h)
Air pressure	600 – 1250 hPa (mbar)
Ambient humidity	0 – 95% rel. humidity (not condensing)

F.S. full scale ¹ related to P_a = 1013hPa; T_a = 25°C ; RH = 50% ; flow ≥ 2.5l/min ² averaged across 12 months ³ @ 100Vol.% O₂ applied for 5min

Subject to change without notice. // 2023-05 Rev.01