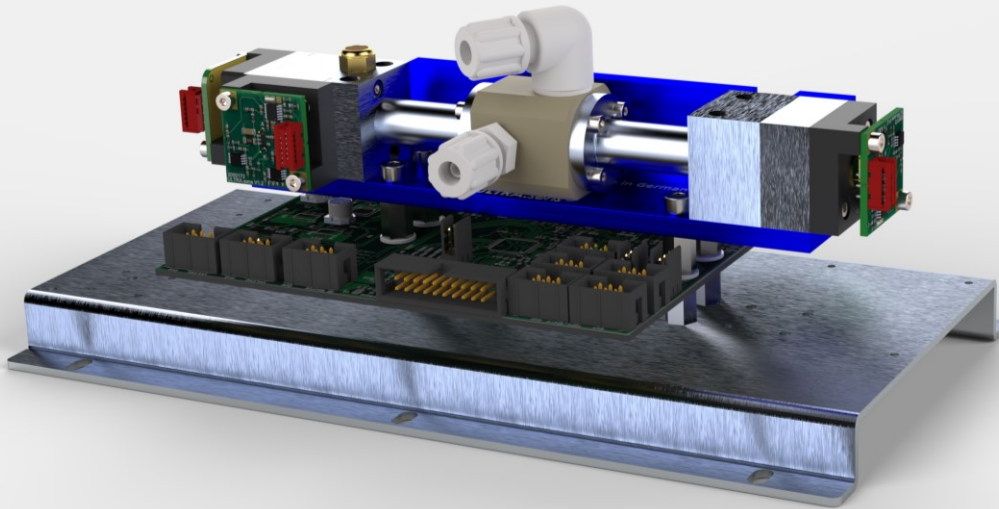


Cl₂ / SO₂



ULTRA.sens® AK25 ProcessLine

Applications

- > Process control
- > Industrial gas analyzer

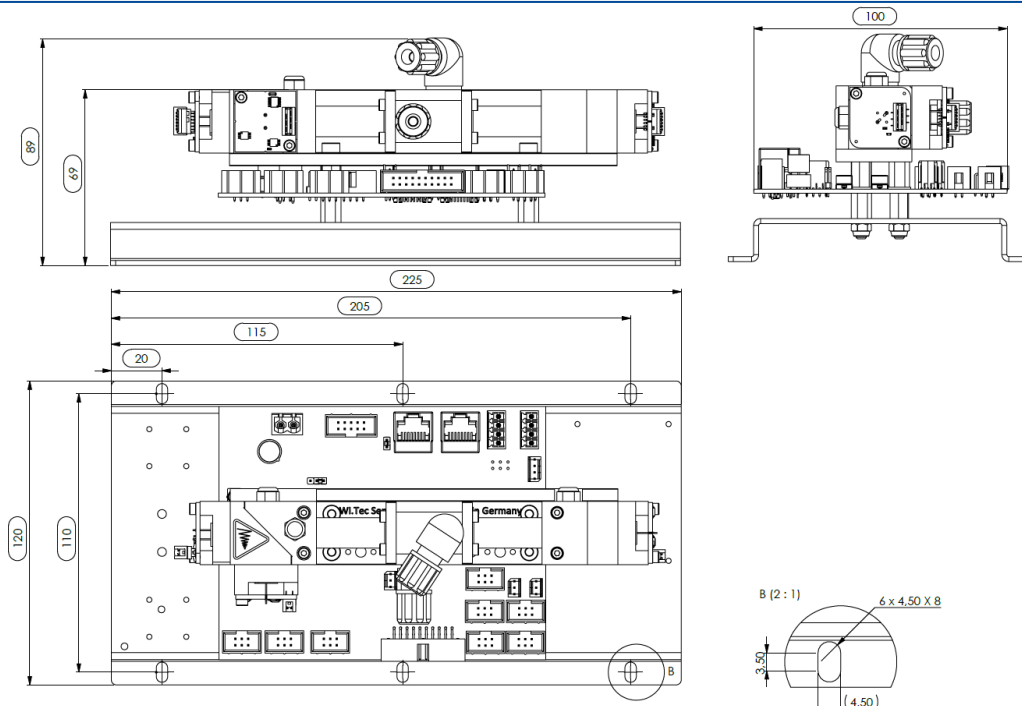
Options

- > O2.sens ProcessLine (Oxygen sensor)
- > P.sens ProcessLine (Pressure sensor)
- > Analogboard (0-10V)

Features & Benefits

- > Resistant to corrosive gases
- > fast response time
- > applicable for continuous measurements

Dimensions



For more and most recent information please have a look on our website at www.witec-sensorik.de/en/

ULTRA.sens® AK25 ProcessLine

Cl₂ / SO₂

	gas channel 1*	gas channel 2*	gas channel 3*	gas channel 4*	Option**	
Single Gas Module			Cl ₂ / SO ₂		O ₂	P
Dual Gas Module			Cl ₂ / SO ₂	Cl ₂ / SO ₂	O ₂	P

* one gas per column selectable

** P = pressure sensor

List of measurement ranges

Measurement range*	O ₃	Cl ₂	H ₂ S	SO ₂	NO ₂	NO
100Vol.%						
50Vol.%						
30Vol.%		✓				
20Vol.%		✓				
10Vol.%		✓		✓		
5Vol.%		✓		✓		
1Vol.%		✓		✓		
5000ppm						
2000ppm						
1000ppm						
500ppm						
300ppm						
100ppm						
50ppm						
10ppm						

* Full scale value (F.S.)

For other measuring ranges please refer to our further datasheets
Please ensure that the gas is dry



THE GAS MEASUREMENT COMPANY

!CAUSE IT MAKES .SENS

Subject to change without notice. // 2021-07 Rev.02

ULTRA.sens® AK25 ProcessLine

Cl₂ / SO₂

General features

Measurement principle	Non-dispersive ultraviolet (NDUV); dual beam
Measurement range	see list of measurement ranges
Gas flow	0.1 – 1.5 l/min
Dimensions	225mm x 120mm x 89mm
Weight	approx. 600g
Tube connector	4/6mm tube
Lifetime of UV radiation source	< 20 000h

Measuring response¹

Warm-up time	1 min (initial), <15 min ²
Response time(t ₉₀)	1.5s – 15s ³
Detection limit (3·σ)	< 0.1% F.S. ⁴
Linearity error	< ± 1% F.S.
Repeatability	± 0.5% F.S.
Long term stability (zero)	< ± 1% F.S./24h
Long term stability (span)	< ± 1% F.S./month
Temp. Influence zero	< 1% F.S./10K
Temp. Influence span	< 2% F.S./10K ⁵
Cross sensitivity	< 2% F.S. ⁶
Pressure influence	< 1.5%/10hPa of reading ⁷

Electrical inputs and outputs

Supply voltage	24 (15 – 30) VDC
Supply current (peak)	< 0.4A
Average power consumption	< 7.5W
Digital output signal	RS 232 (ASCII) or CAN bus

Climatic conditions

Operating temperature	5 – 45 °C
Storage temperature	-20 – 60 °C
Air pressure	800 – 1200 hPa (mbar)
Ambient humidity	0 – 95% rel. humidity (not condensing)

F.S. full scale ¹ related to P_a = 1020hPa ; T_a = 25°C ; flow = 1l/min ² full specification, demands to environmental conditions
³ depends on digital filter settings ⁴ at zero point ⁵ with span temperature compensation ⁶ to each calibrated gas channel, other gases on request
⁷ without pressure compensation



THE GAS MEASUREMENT COMPANY

CAUSE IT MAKES .SENS

Subject to change without notice. // 2021-07 Rev.02